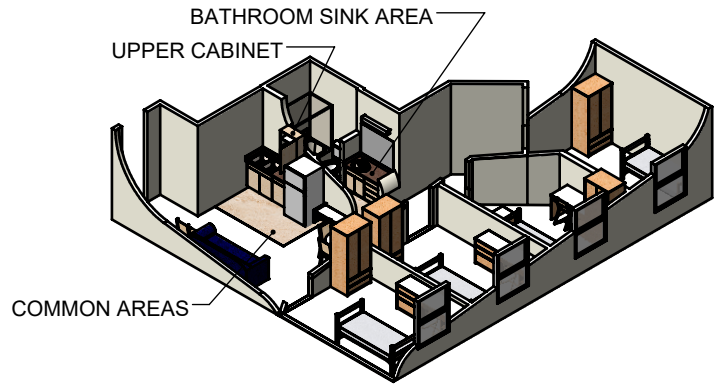
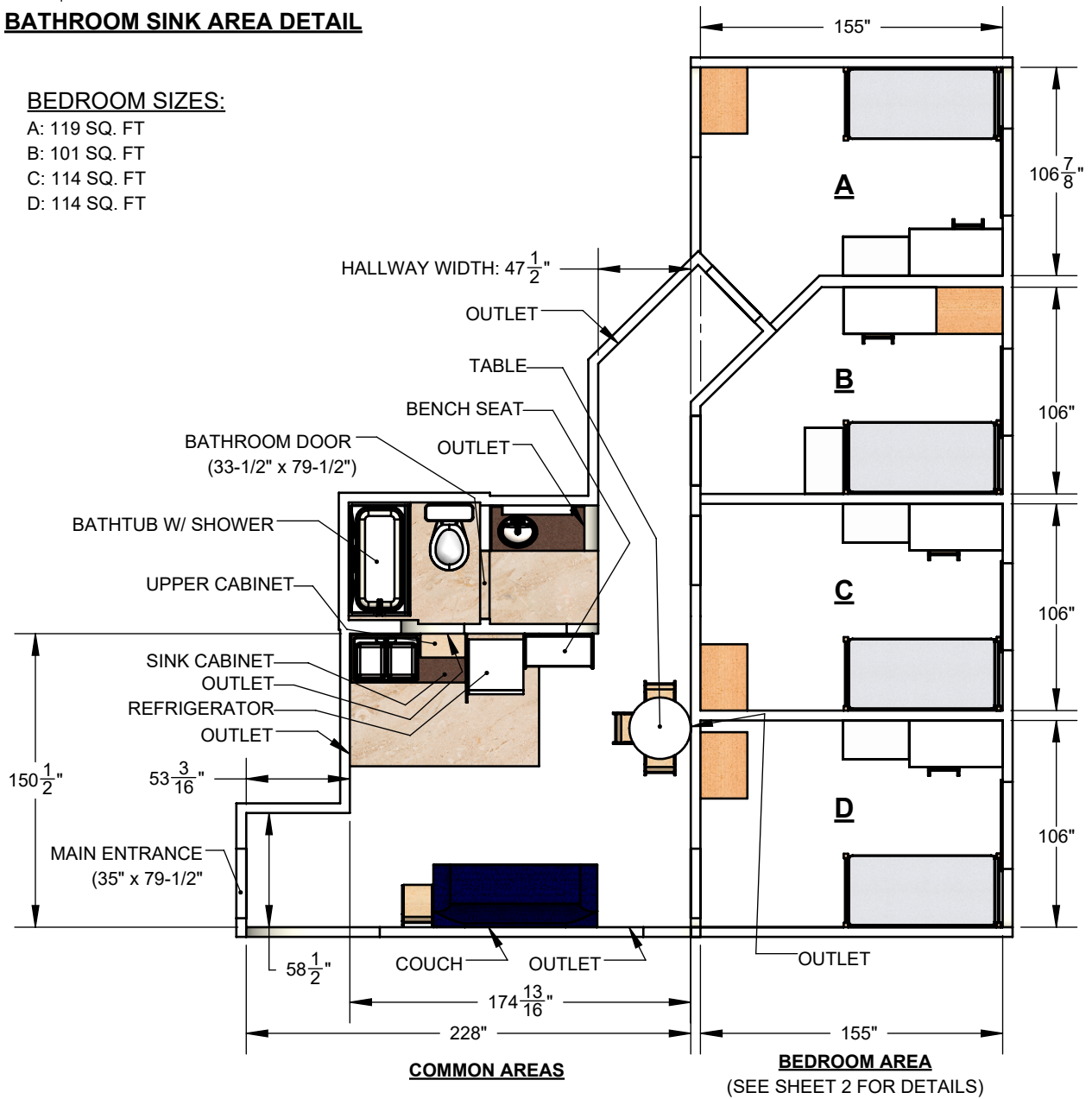


**BATHROOM SINK AREA DETAIL**

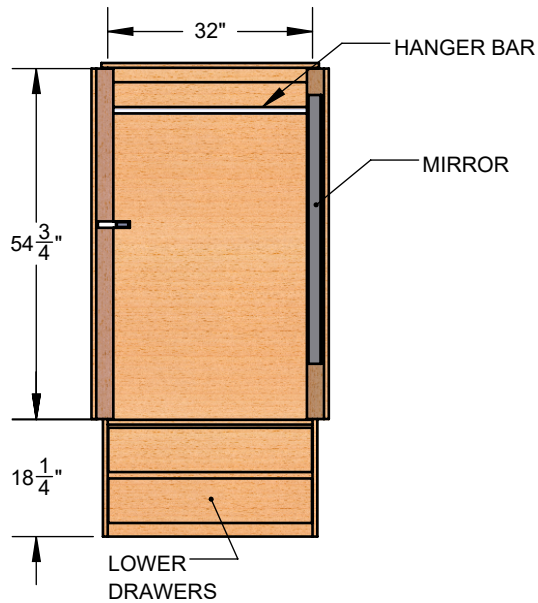


**BEDROOM SIZES:**

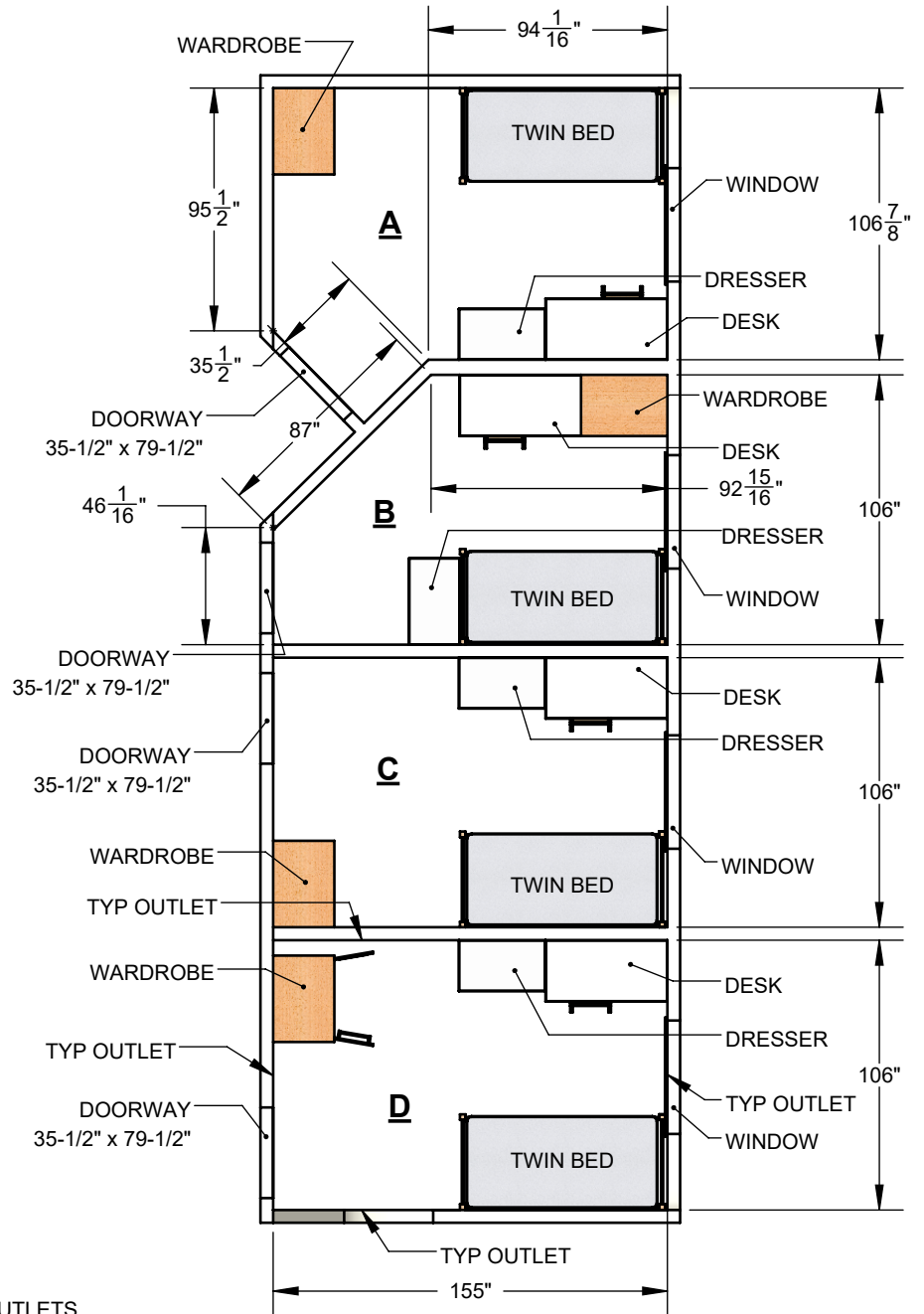
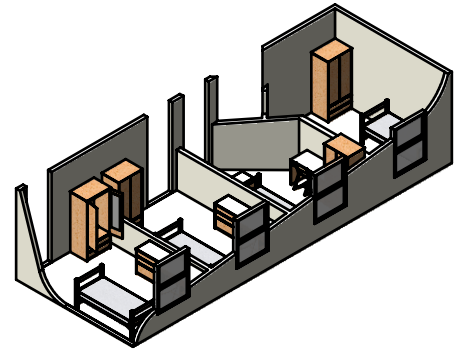
- A: 119 SQ. FT
- B: 101 SQ. FT
- C: 114 SQ. FT
- D: 114 SQ. FT



				<b>BREWSTER HALL - TYP. QUAD OCCUPANCY ROOMS</b>	
				DR. GJB 1.02.18	<b>EWU RES. HALL FLOOR PLAN</b>
<b>REVISION LOG</b>		<b>DATE</b>	<b>BY</b>		<b>B0003G</b> SHT. 1 OF 2



**WARDROBE DETAIL**  
22-3/8" DEEP



**ROOM SIZES:**

- A: 119 SQ. FT
- B: 101 SQ. FT
- C: 114 SQ. FT
- D: 114 SQ. FT

**OUTLETS:**

EACH ROOM TYPICALLY HAS (4) OUTLETS  
- (1) ON EACH WALL

				<b>BREWSTER HALL - TYP. QUAD OCCUPANCY ROOMS</b>			
				DR. GJB 1.02.18		<b>EWU RES. HALL FLOOR PLAN</b>	
<b>REVISION LOG</b>		<b>DATE</b>	<b>BY</b>			<b>B0003G</b> SHT. 2 OF 2	